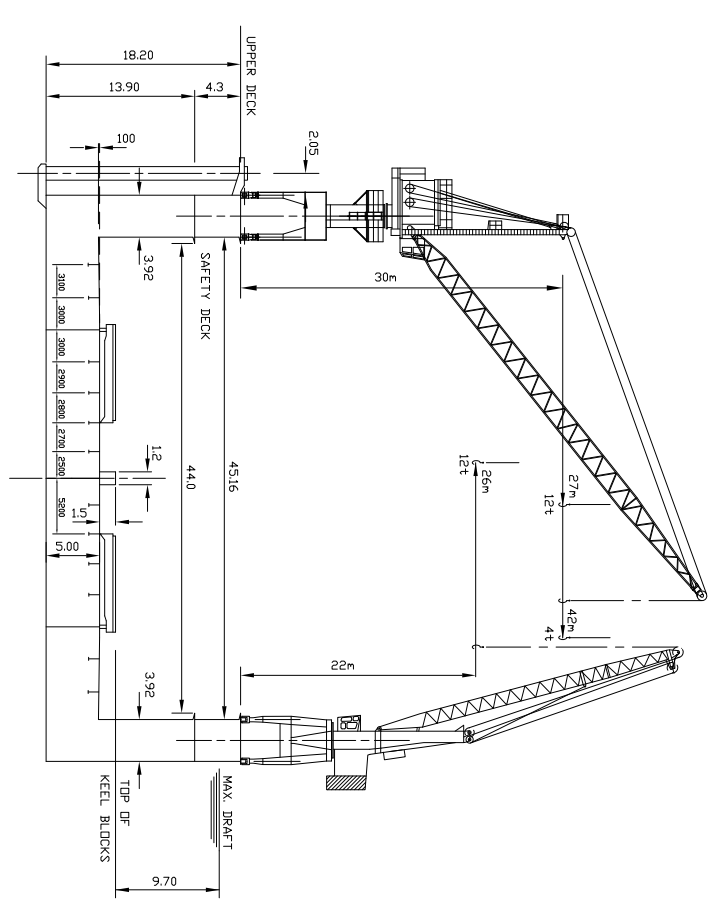


PLAN VIEW
SCALE 1:500

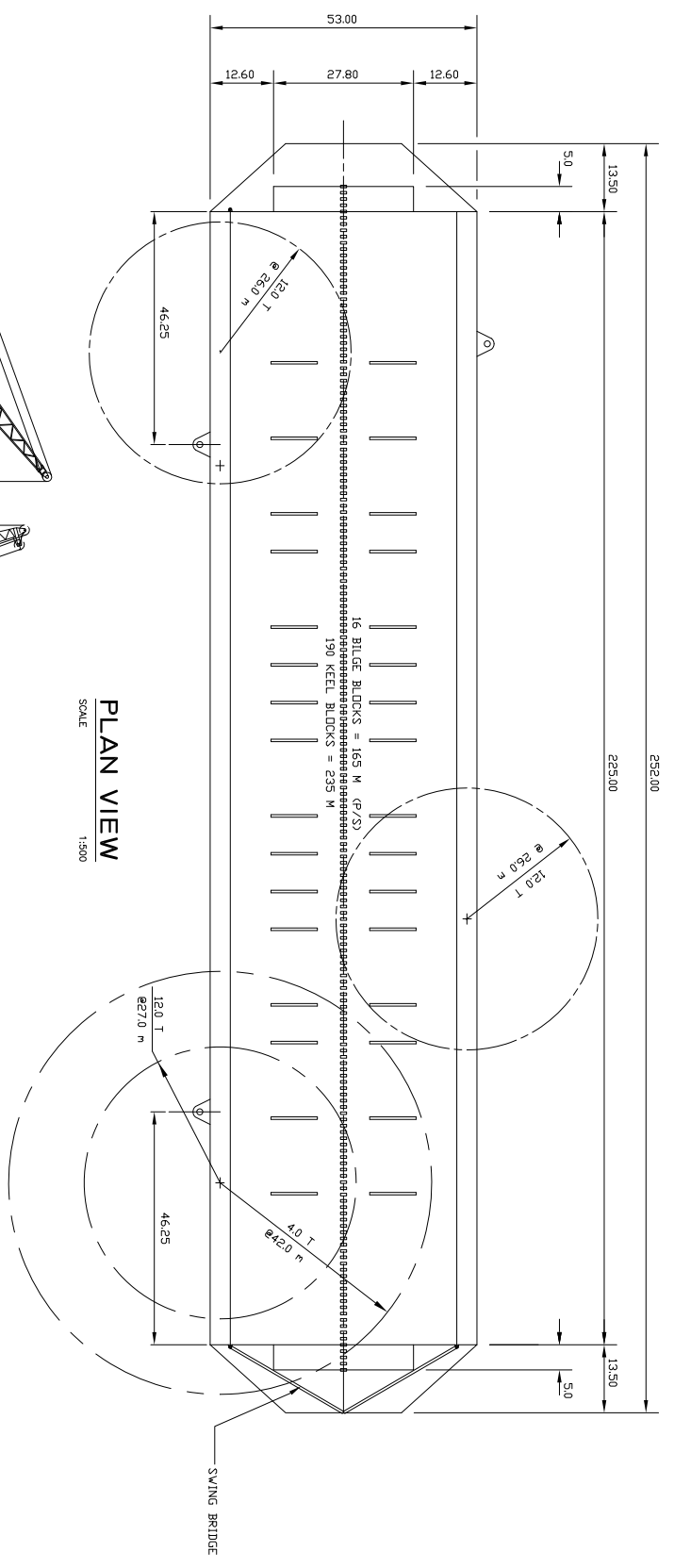


SECTION VIEW
SCALE 1:250

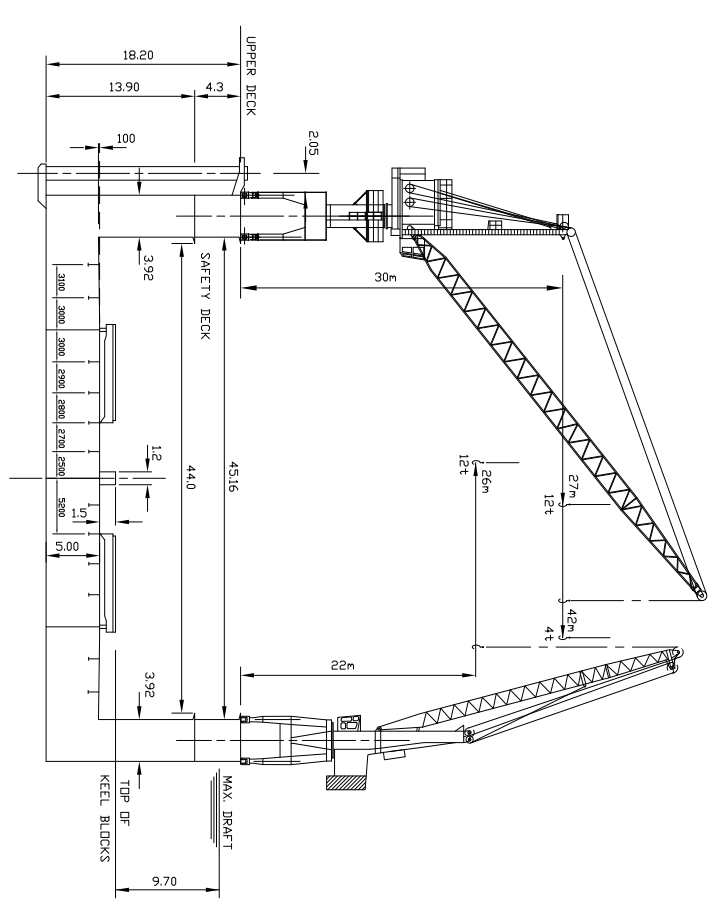
D A T A	
DESCRIPTION	METRIC
L.O.A.	252.00 M
L.O. KEEL BLOCKS	235.00 M
O.A. WIDTH	53.00 M
CLEAR WIDTH BETWEEN W.W.	44.00 M
MAX. DEPTH ABOVE KEEL BLOCKS	9.70 M
MAX. CRANE CAP.	12,000 MT.
D.O. LIFTING CAP.	33,000 MT.
MATERIAL	STEEL

33,000 T LIFTING CAPACITY DOCK
PRINCIPAL DIMENSIONS

ASRY	ASRY SHIPBUILDING & REPAIR YARD	SCALE: 2500/1	DATE: 10/26/07
DRAWN BY: WJG	CHECKED BY: SP	DATE: 10/26/07	DATE: 10/26/07
APPROVED BY: AB			



PLAN VIEW
SCALE 1:500

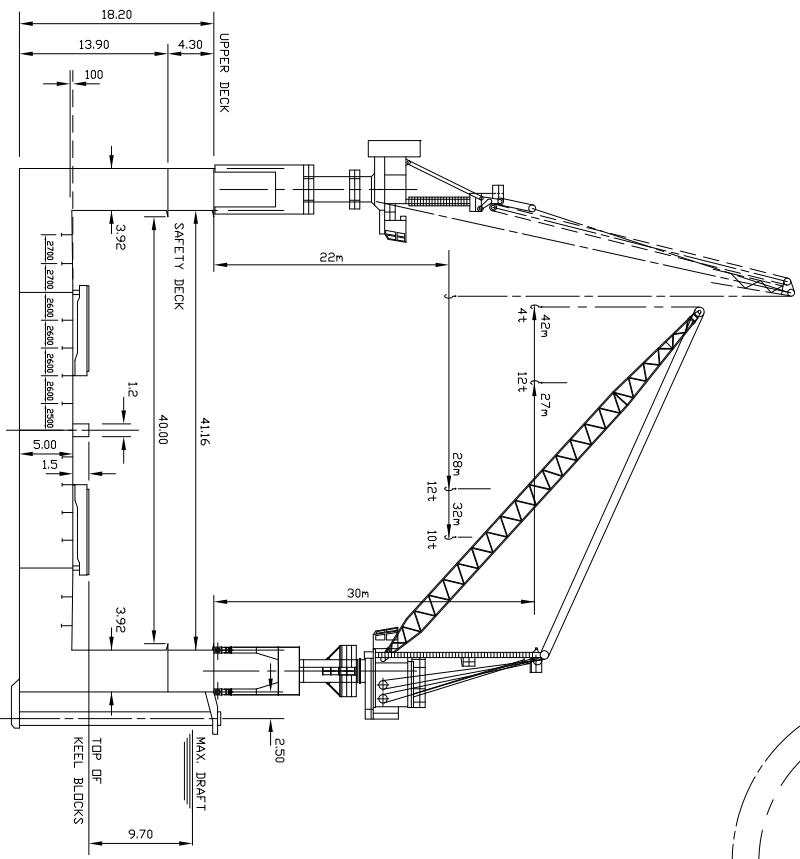
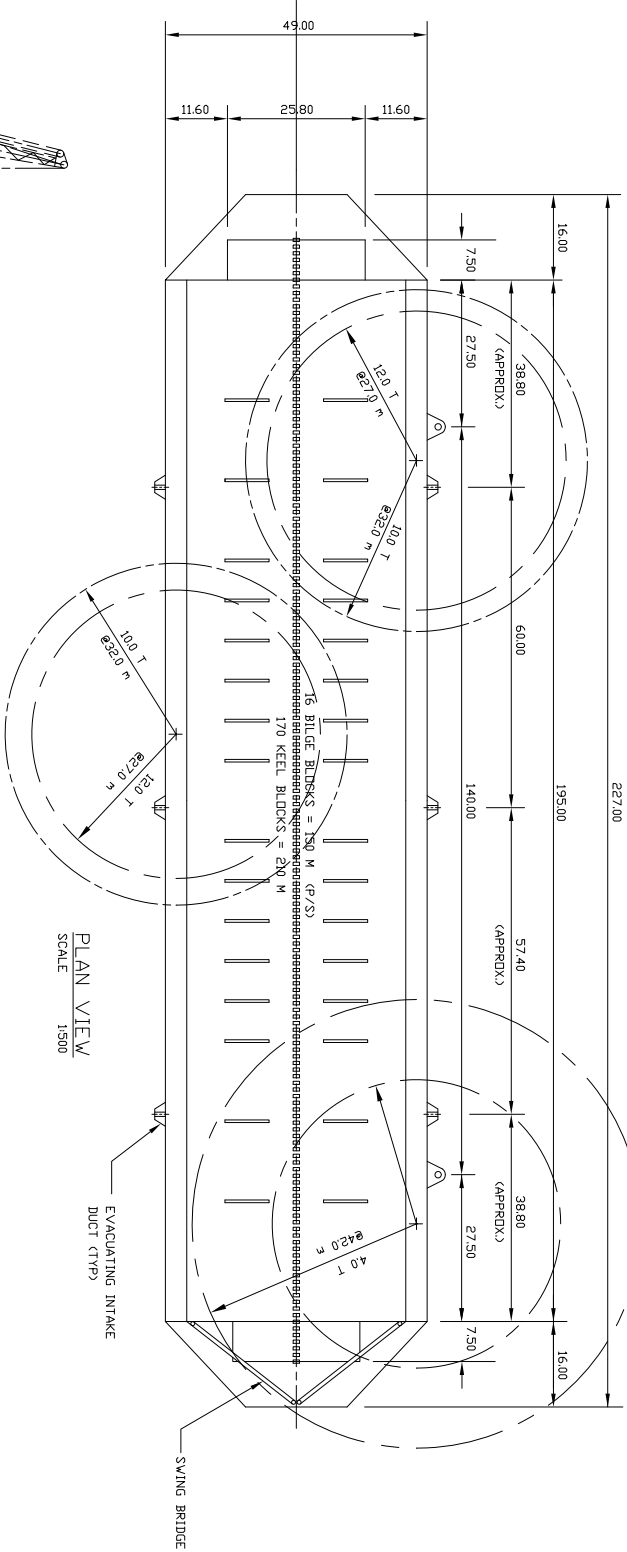


SECTION VIEW
SCALE 1:250

D A T A	
DESCRIPTION	METRIC
L.O.A.	252.00 M
L.O. KEEL BLOCKS	235.00 M
O.A. WIDTH	53.00 M
CLEAR WIDTH BETWEEN W.W.	44.00 M
MAX. DEPTH ABOVE KEEL BLOCKS	9.70 M
MAX. CRANE CAP.	12,000 MT.
D.O. LIFTING CAP.	33,000 MT.
MATERIAL	STEEL

33,000 T LIFTING CAPACITY DOCK
PRINCIPAL DIMENSIONS

ASRY	ASRY SHIPBUILDING & REPAIR YARD	SCALE: 2500/1	DATE: 10/26/07
DRAWN BY: WJG	CHECKED BY: SP	DATE: 10/26/07	DATE: 10/26/07
APPROVED BY: AB			



SECTION VIEW
SCALE 1/250

D A T A	
DESCRIPTION	METRIC
L.O.A.	227.00 m
L.O. KEEL BLOCKS	210.00 m
O.A. WIDTH	49.00 m
CLEAR WIDTH BETWEEN W.W.	40.00 m
MAX. DEPTH ABOVE KEEL BLOCKS	9.70 m
MAX. CRANE CAP.	12.00 MT
D.D. LIFTING CAP.	30,000 MT
MATERIAL	STEEL